



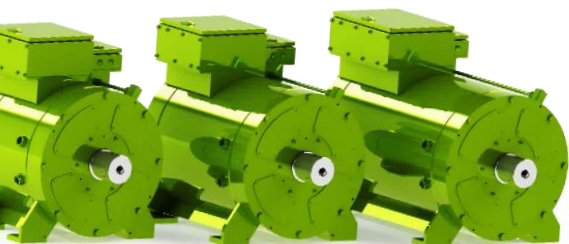
Modular concept: for special motors & generators

3 sizes, 2 types, 3 lengths, 10+ features = 1.000+ possibilities

With our modular concept, you have all the possibilities!
You choose from various sizes, types, lengths and features and define your individual area of application. Based on these parameters, we develop and design the most efficient and economical special motor for you. Entirely according to your ideas and applications.

Typical areas of applicaton

- PTI/PTO systems
- gen sets for diesel-electric hybrid applications
- propulsion applications
- thruster applications



Size

+

Type

+

Length

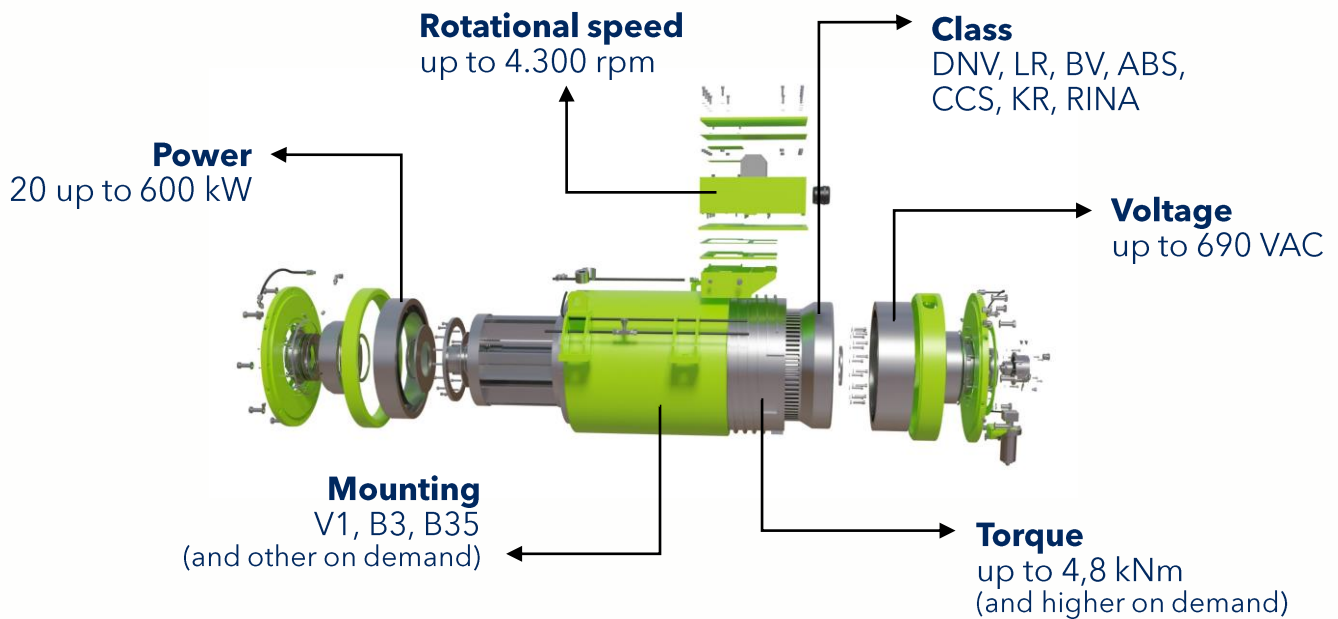
+

Features

=

Individual machine

TECHNICAL OVERVIEW



YOUR ADVANTAGES AT A GLANCE

- compact design (more power with the same size)
- long-life motors and generators
- high efficiency = customized winding
- low emissions
- low noise and vibration
- customised through individual features

INCLUDED FEATURES

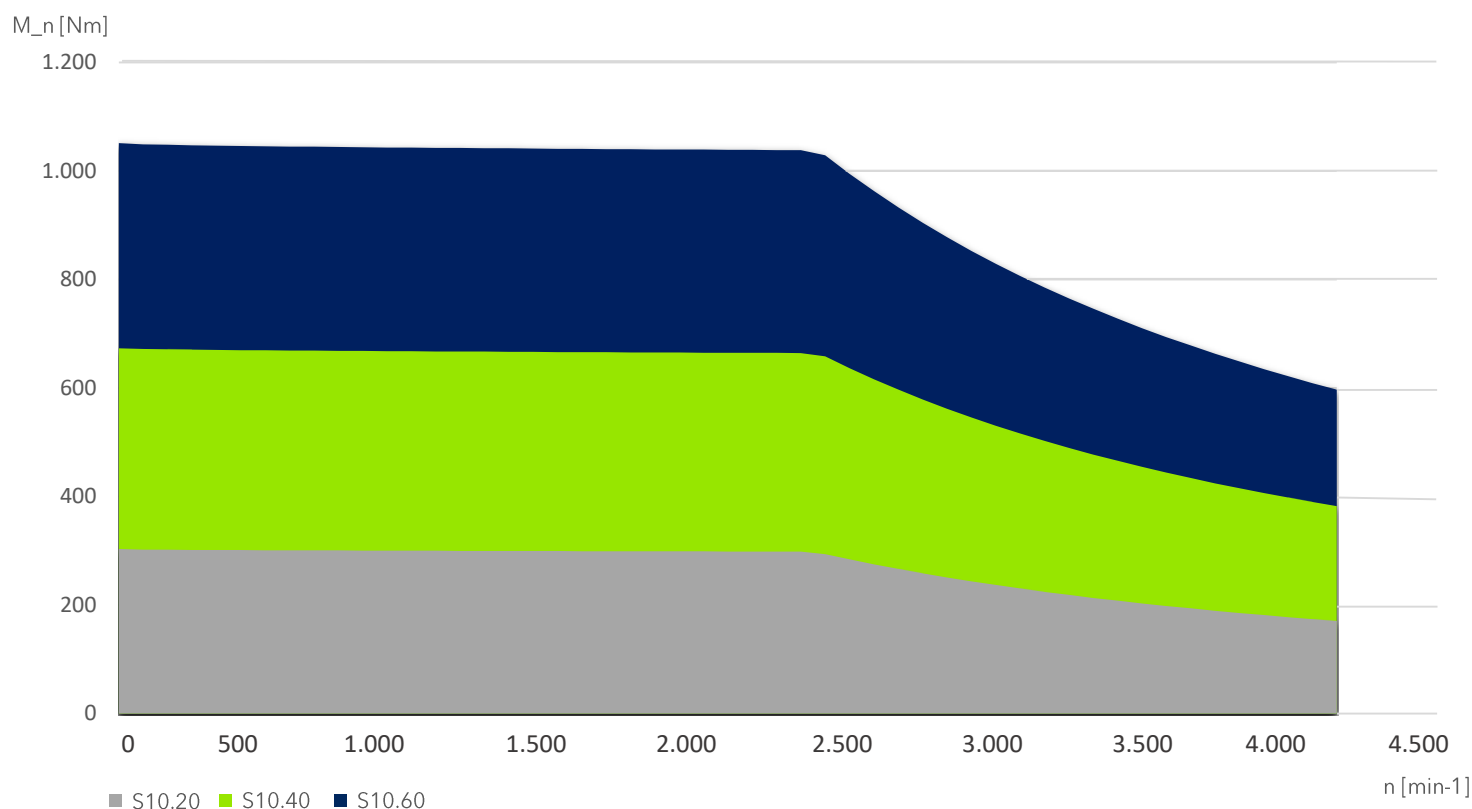
- watercooled
- PM machine
- multiple mounting possibilities
- leakages Sensor
- IP 55
- heating tape

ADDITIONAL FEATURES

- encoder or resolver
- cable entry
(cable glands or Rextec seal)
- shaft grounding brush
- SAE flange / B35
- wingmounting
- spline shaft (DIN EN ISO 5480)
- 2 winding systems
- higher IP classes

SIZE 10

MACHINE CHARACTERISTIC



GENERAL INFORMATION

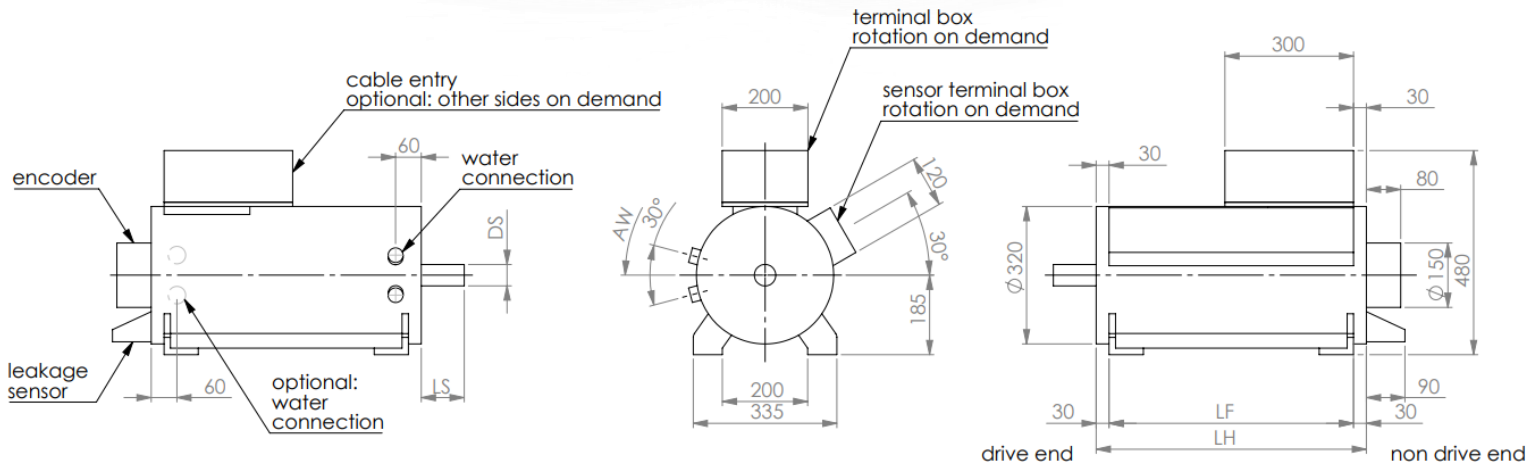
Electric

Pole pair number	8
Duty type (IEC 60034-1)	S1
Insulation class (IEC 60034-1)	H (+180°C)
Temperature rise (IEC 60034-1)	F (+155°C)
Temperature monitoring	12x PT100 (in windings) 2x PT100 (for each bearing)

Mechanical

Machine type	Permanent magnet machine
Frame material	Steel
Protection class	IP55
Machine coating	Green RAL D2 120 70 75
Cooling liquid corrosive inhibitor type	Water glycol 30 %
Cooling method (IEC 60034-6)	IC 71 W
Ambient temperature	0 up to +45°C

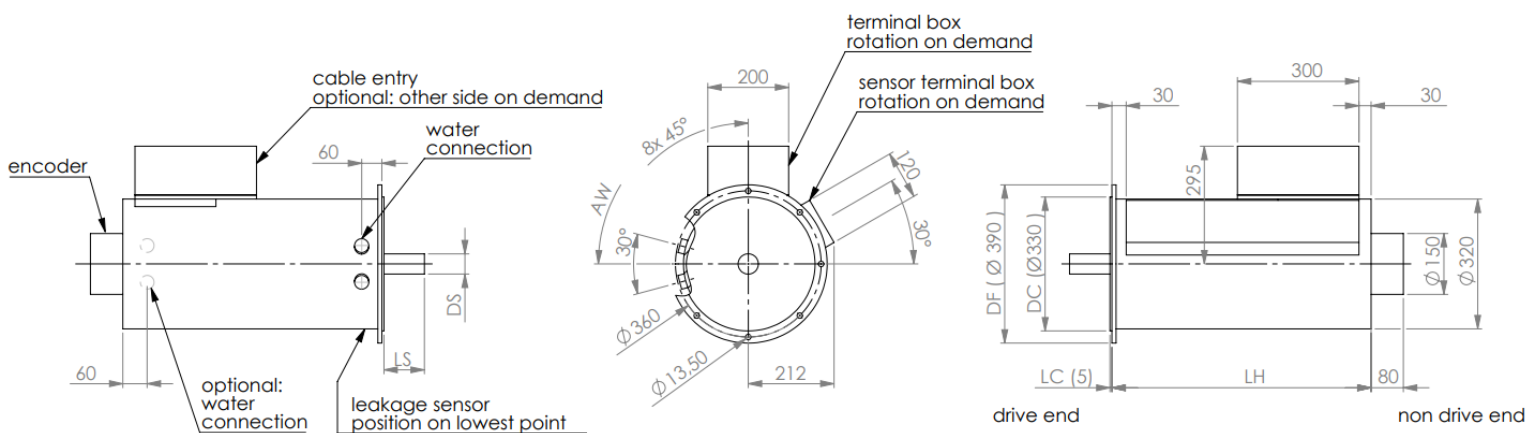
SIZE 10.B3



Housing type	D	LS	LH	LF	AW
S.10.20.B3	according to customer specifications		430 mm	370 mm	360° rotation
S.10.40.B3	according to customer specifications		630 mm	570 mm	360° rotation
S.10.60.B3	according to customer specifications		830 mm	770 mm	360° rotation

Measurement in mm, deviations are possible.

SIZE 10.V1

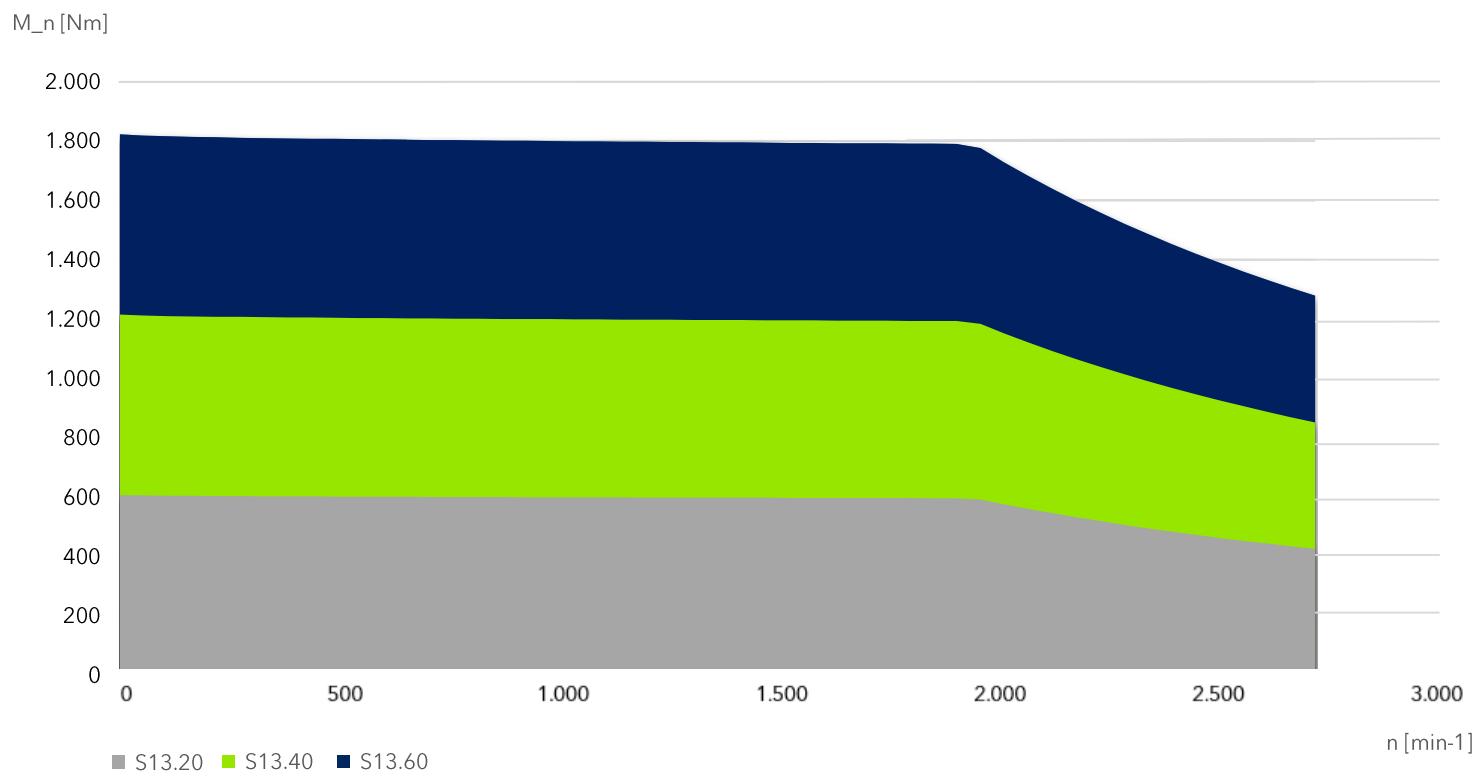


Housing type	D	LS	LH	DF	DC	LC	AW
S.10.20.V1	according to customer specifications		430 mm	according to customer specifications			360° rotation
S.10.40.V1	according to customer specifications		630 mm	according to customer specifications			360° rotation
S.10.60.V1	according to customer specifications		830 mm	according to customer specifications			360° rotation

Measurement in mm, deviations are possible.

SIZE 13

MACHINE CHARACTERISTIC



GENERAL INFORMATION

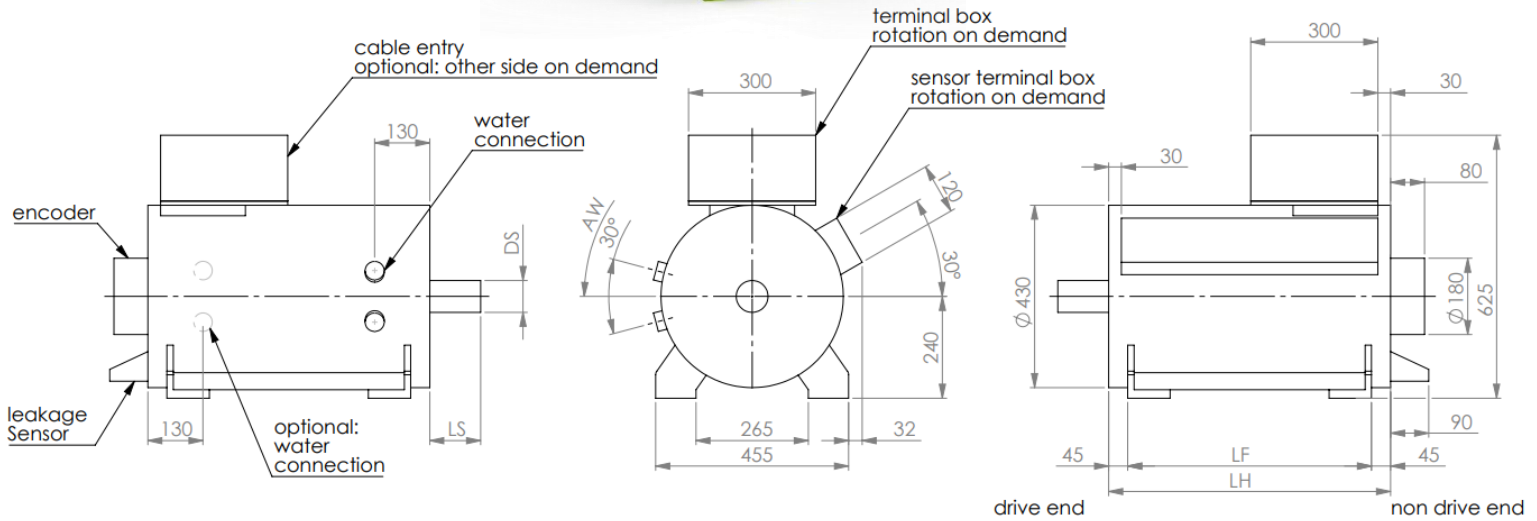
Electric

Pole pair number	8
Duty type (IEC 60034-1)	S1
Insulation class (IEC 60034-1)	H (+180°C)
Temperature rise (IEC 60034-1)	F (+155°C)
Temperature monitoring	12x PT100 (in windings) 2x PT100 (for each bearing)

Mechanical

Machine type	Permanent magnet machine
Frame material	Steel
Protection class	IP55
Machine coating	Green RAL D2 120 70 75
Cooling liquid corrosive inhibitor type	Water glycol 30 %
Cooling method (IEC 60034-6)	IC 71 W
Ambient temperature	0 up to +45°C

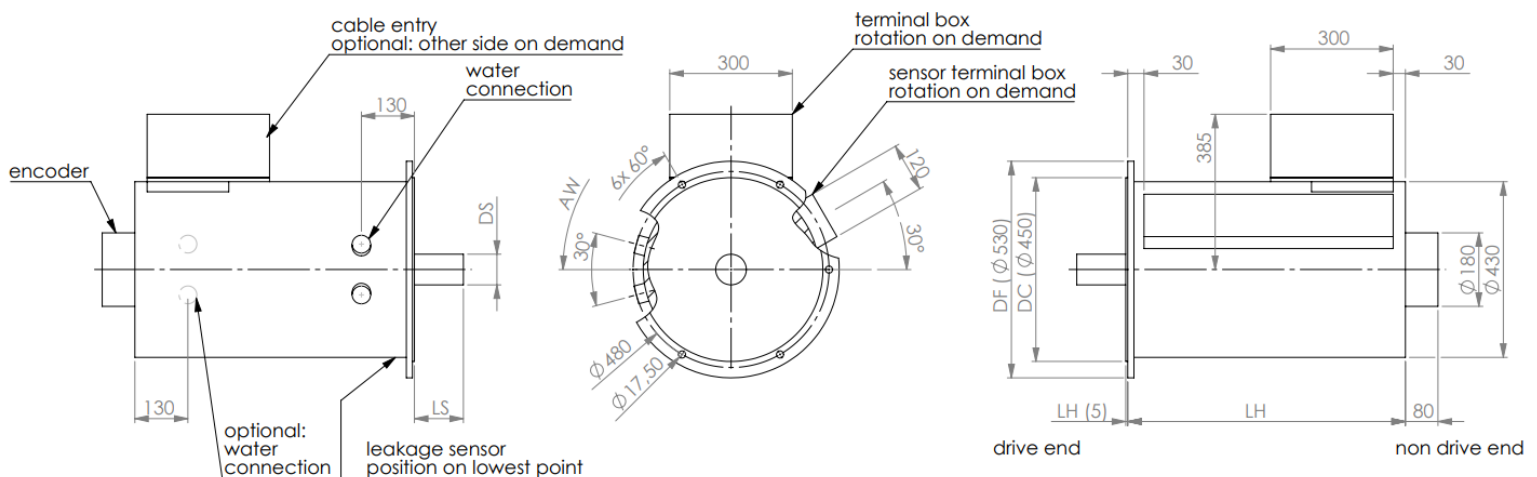
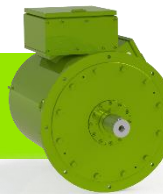
SIZE 13.B3



Housing type	D	LS	LH	LF	AW
S.13.20.B3	according to customer specifications		465 mm	375 mm	360° rotation
S.13.40.B3	according to customer specifications		665 mm	575 mm	360° rotation
S.13.60.B3	according to customer specifications		865 mm	775 mm	360° rotation

Measurement in mm, deviations are possible.

SIZE 13.V1

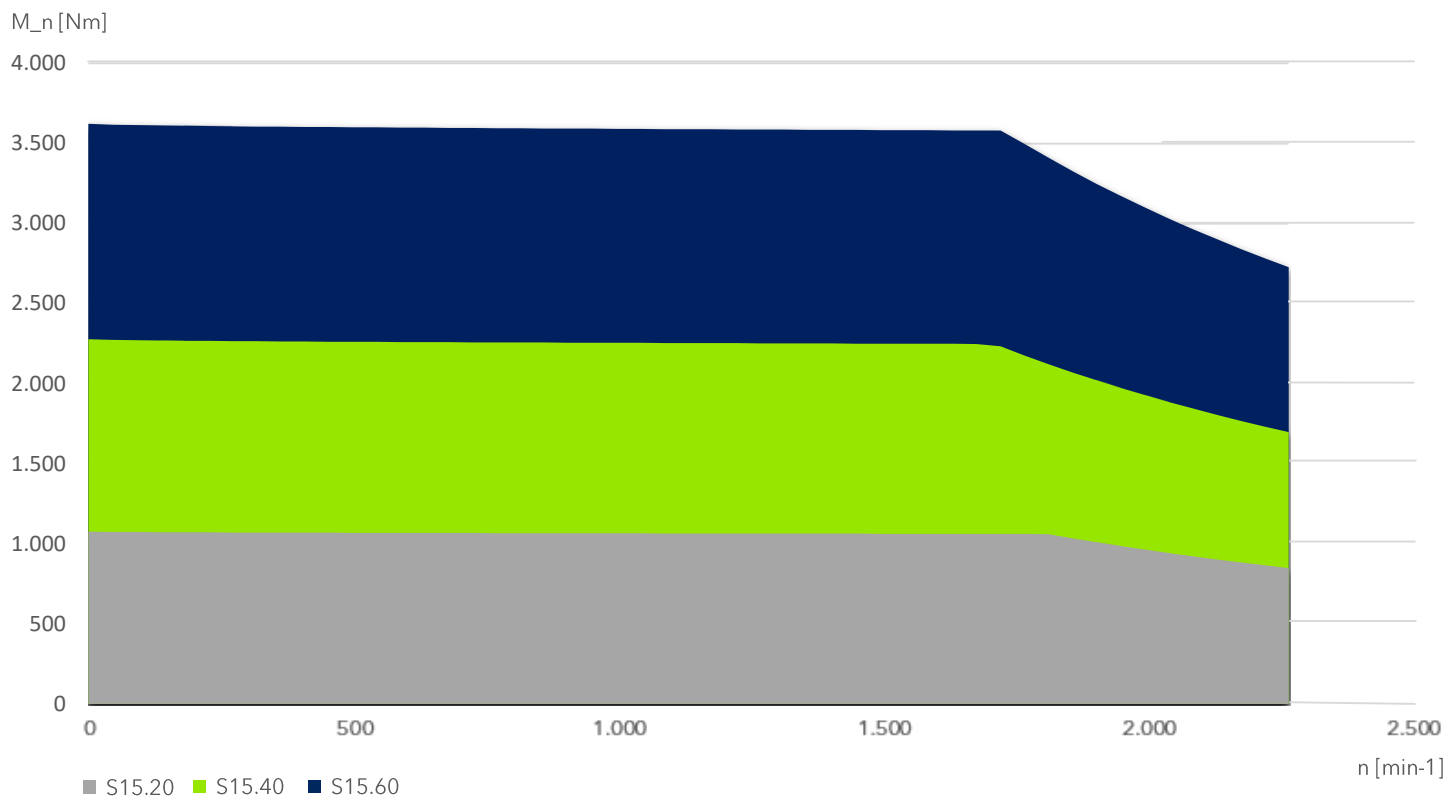


Housing type	D	LS	LH	DF	DC	LC	AW
S.13.20.V1	according to customer specifications		465 mm	according to customer specifications			360° rotation
S.13.40.V1	according to customer specifications		665 mm	according to customer specifications			360° rotation
S.13.60.V1	according to customer specifications		865 mm	according to customer specifications			360° rotation

Measurement in mm, deviations are possible.

SIZE 15

MACHINE CHARACTERISTIC



GENERAL INFORMATION

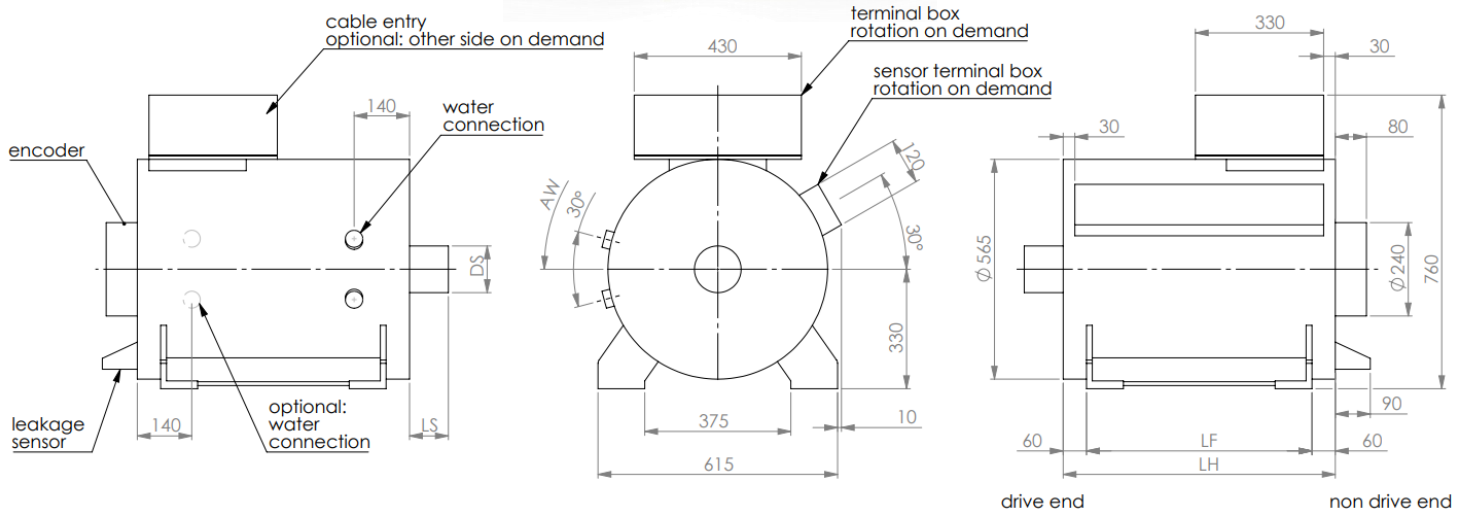
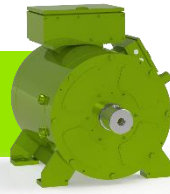
Electric

Pole pair number	8
Duty type (IEC 60034-1)	S1
Insulation class (IEC 60034-1)	H (+180°C)
Temperature rise (IEC 60034-1)	F (+155°C)
Temperature monitoring	12x PT100 (in windings) 2x PT100 (for each bearing)

Mechanical

Machine type	Permanent magnet machine
Frame material	Steel
Protection class	IP55
Machine coating	Green RAL D2 120 70 75
Cooling liquid corrosive inhibitor type	Water glycol 30 %
Cooling method (IEC 60034-6)	IC 71 W
Ambient temperature	0 up to +45°C

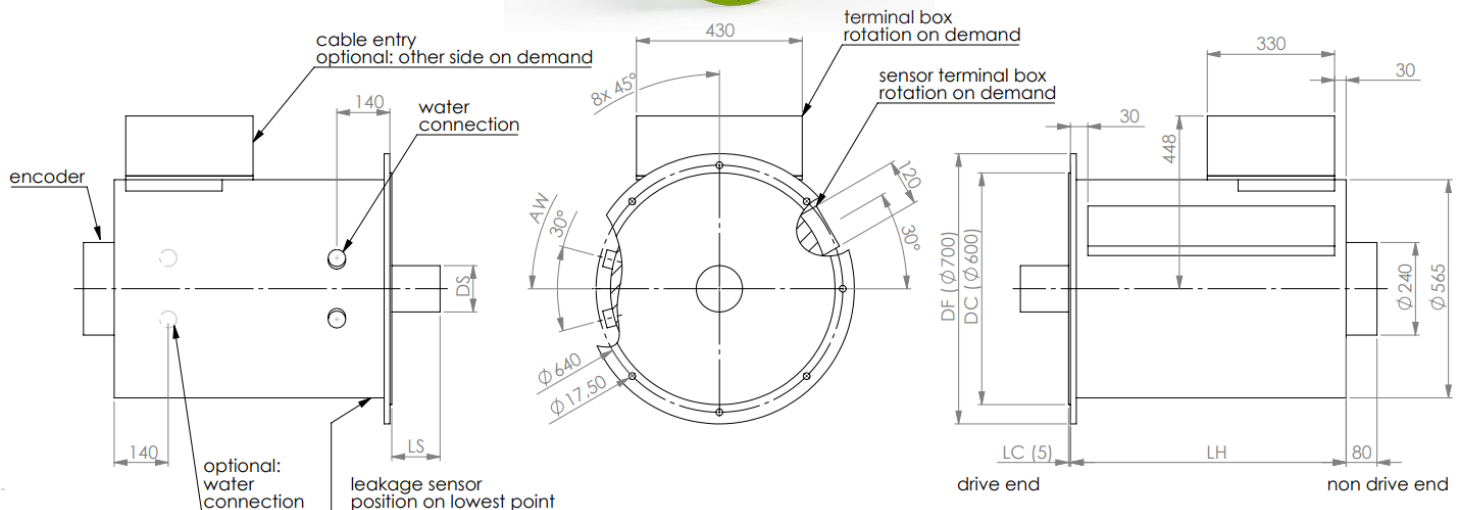
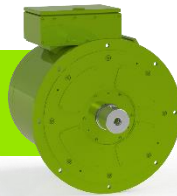
SIZE 15.B3



Housing type	D	LS	LH	LF	AW
S.15.20.B3	according to customer specifications		500 mm	380 mm	360° rotation
S.15.40.B3	according to customer specifications		700 mm	580 mm	360° rotation
S.15.60.B3	according to customer specifications		900 mm	780 mm	360° rotation

Measurement in mm, deviations are possible.

SIZE 15.V1



Housing type	D	LS	LH	DF	DC	LC	AW
S.15.20.V1	according to customer specifications		500 mm	according to customer specifications			360° rotation
S.15.40.V1	according to customer specifications		700 mm	according to customer specifications			360° rotation
S.15.60.V1	according to customer specifications		900 mm	according to customer specifications			360° rotation

Measurement in mm, deviations are possible.

CEDS Duradrive GmbH
Neuenkirchener Straße 13
48499 Salzbergen
Germany

Phone: +49 5976 6449-0
info@ceds-duradrive.de

ceds-duradrive.de